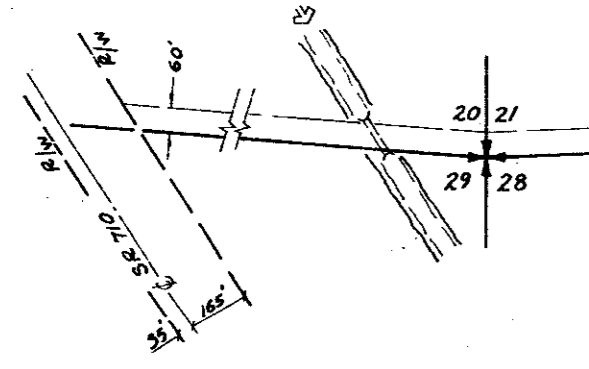


*ok lot 41  
 7/1/72 per sign  
 10/4/72  
 Does not need to  
 see because of  
 shortage*

*Recorded in O.R. Book #  
 2462  
 Pages 888-892.*

*T 41  
 R-41  
 Section-22  
 "WIND IN THE PINES"*



DATE	BY	DESCRIPTION	REVISION

FIELD:	Date: OCT. 27, 1972	Scale: 1" = 300'	Plat Book:	Page:
DRAWN BY:				
CHECKED BY:				
DATE:				
JOB NO:				
SEAL:				

**LINDAHL - O'BRIEN, INC.**  
 ENGINEERS - SURVEYORS  
 P.O. Box 727 - Jupiter, Florida 33408

SHEET 2 of 2 72-275